

A1-Bench Arbor Assembly Instructions

Parts:

4 - 4 x 4 x 8'6" Posts-A
2 - 2 x 6 x 8' Cross Brace-B
2 - Sets Pre-Drilled Stringer -D
3 - Sets Stringer -C
24 - 3" Lag Bolts
4 - 1 x 2 x 8' Cedar Strips For Hanging Baskets
8 - 3" Screws To Attach Strips

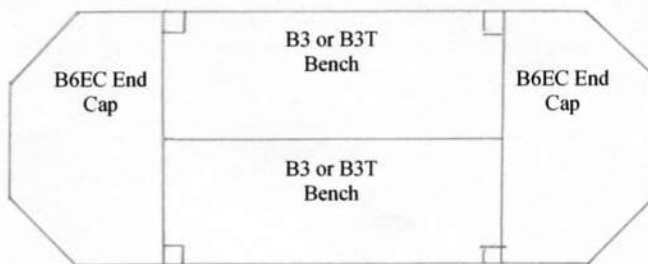
Tools Needed:

Power Screwdriver With 1/2" Socket
Wrench
Philips Head Screwdriver
Ladder
One Assistant to help

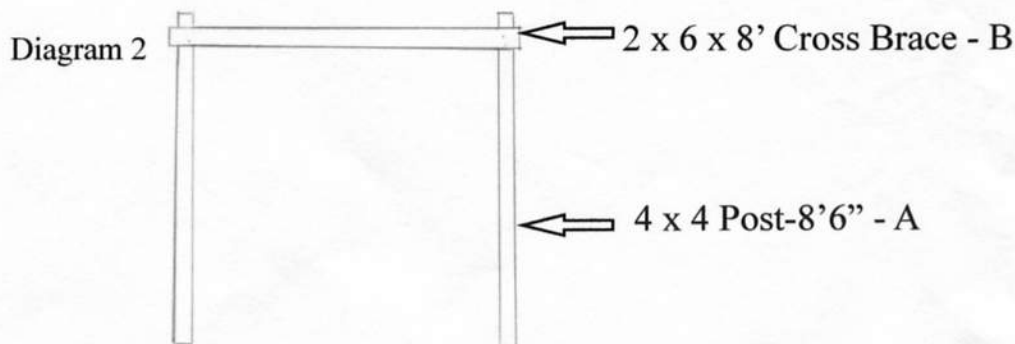
Step 1 Arrange benches as shown.

A- so arbor goes over bench (line art below) or
B - so arbor goes over Aisle (see back for photo)

Diagram 1



Step 2 Place two 4 x 4 posts on a flat surface 90" apart. Attach 2 x 6 x 8' cross brace as shown. Both posts (A) and cross brace (B) are marked with lines for exact positioning. Use two lag bolts (with washers) per post. With one person per post lift post and drop them through holes in the bench. Cross brace B must face outside - away from center of arbor that will be overhead. Repeat for side two.



Bench Systems, LLC P.O. Box 1510, Lewiston, ME 04241-1510
888-881-3081 Toll Free * 207-784-0939 Fax * www.benchsystems.com