

J2 Mini Bird Care Center

Assembly Instructions

Kit includes:

4 – PD20 shelving units
1 – A10 Arbor

Arbor Kit includes:

4 – Posts - 4" X 4" X 9'
2 – Cross Braces - Long
3 – Sets of Runners (Joined Pairs) 96" L
24 – Lag Bolts - kit includes special driver
4 – 2 1/2" Long screws.
16 – Dowels

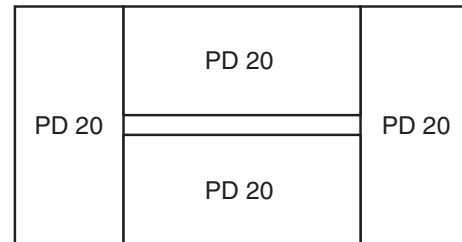
Tools Needed

Ladder
One or two assistants
Power screw gun
Phillips screw bit

Step 1

Assemble PD20 shelves following instruction sheet provided. Once assembled, place units in the pattern shown in Diagram 1 to the right.

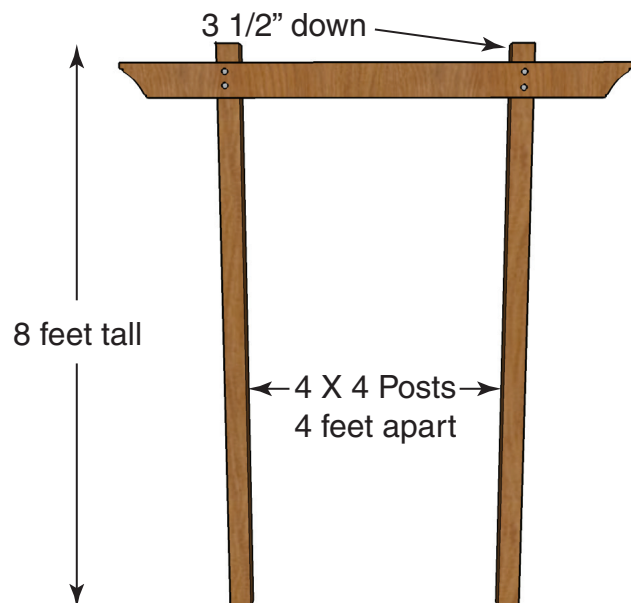
Diagram 1



Step 2

Lay two 4 X 4 posts on a flat surface, roughly 4 feet apart. Each post has a pencil line 3 1/2 inches down from the top. Place cross brace across posts with top surface on the pencil lines and pre-drill holes centered on the post. (See Diagram 2) Attach with lag bolts; 2 per post. Repeat with second set of posts.

Diagram 2



Step 3

Look at drawing of final product, Diagram 3. With assistants, stand the two posts against one side of the shelving. Repeat on the second side with other posts. Square both sides to shelving. Place the double sets of parallel runners with pre-drilled holes over the 4 X 4 post until notch settles on cross brace. Attach with lag bolts. Repeat over posts on opposite ends.

Step 4

Add the last runners to the top, spacing evenly in the center

Step 5

Using one long screw per post attach the post to the shelving unit by inserting the screw from inside the shelving unit into the post. Repeat for all posts, one per post.

Diagram 3



Step 6

Add as many of the dowel limbs as desired to each post by inserting into pre drilled holes. Unit is complete.

Thank You.

Tip 1: Several customers have added birch branches over the top of the arbors to create additional hanging space and a more woody birding area.

Tip 2: By removing the top shelf from one PD20 units you create an excellent location for a monitor screen for instructional video.